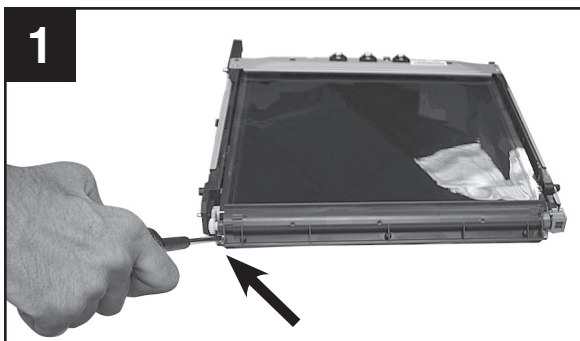


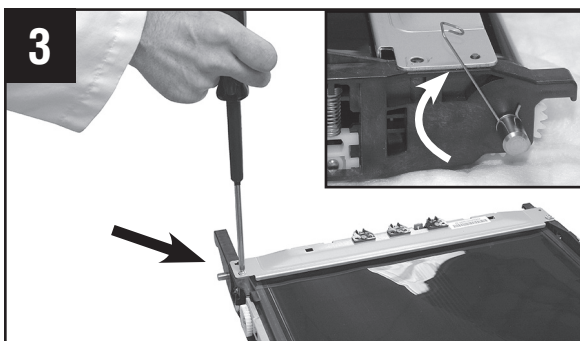
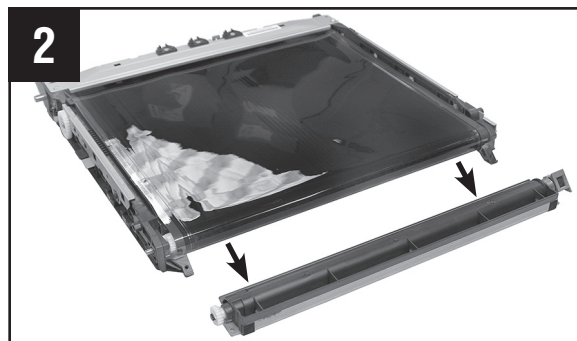
# Installation Instructions

Image Transfer Belt for use in  
Konica Minolta bizhub C220/C280/C360  
and C224/258/284/308/364/368/454/554 applications

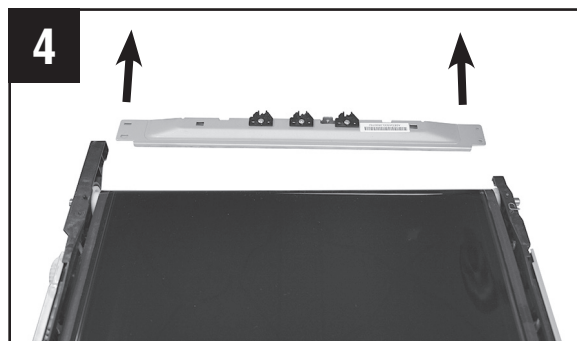
INSTRUCCIONES DE INSTALACIÓN  
INSTRUCTIONS D'INSTALLATION  
INSTALLATIONSANLEITUNG  
ISTRUZIONI PER L'INSTALLAZIONE  
INSTRUÇÕES DE INSTALAÇÃO



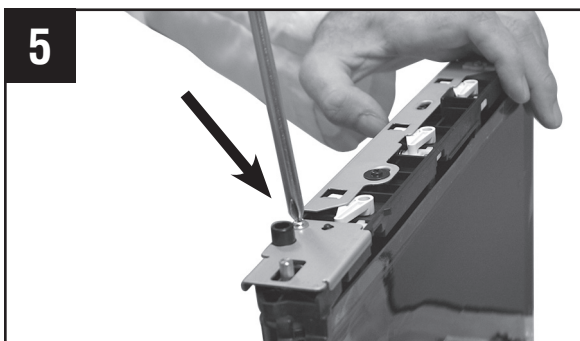
1 Remove the cleaning blade assembly by first removing the two screws.



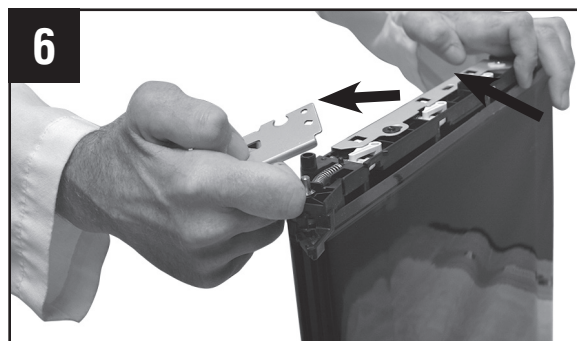
3 Remove two bracket screws and rotate the ground wire up.



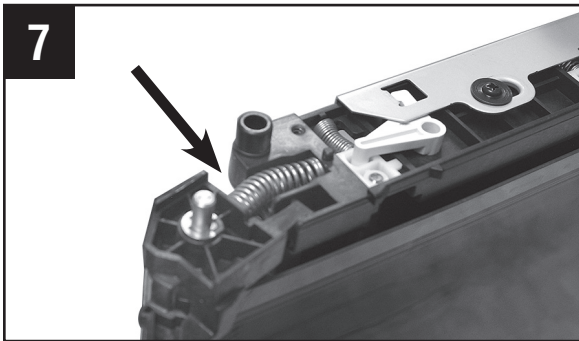
4 Remove the bracket.



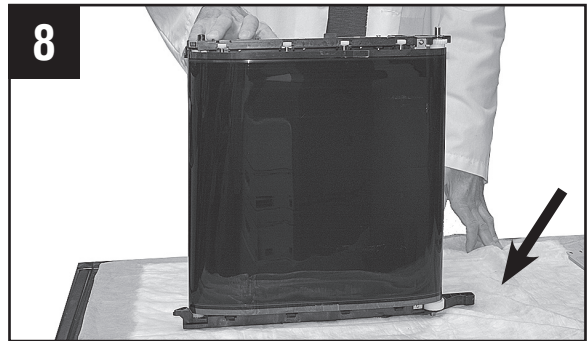
5 Remove the front screw securing the small metal side bracket.



6 Remove the side bracket.



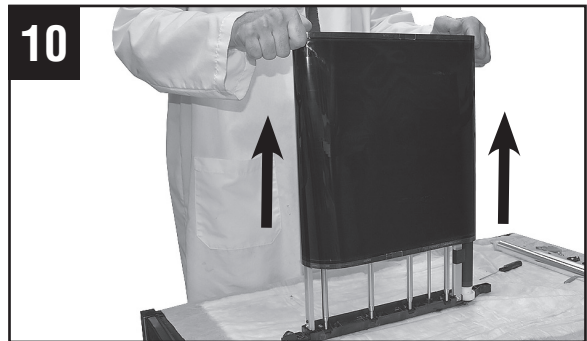
7  
Remove the tension roller springs on each side of the assembly.



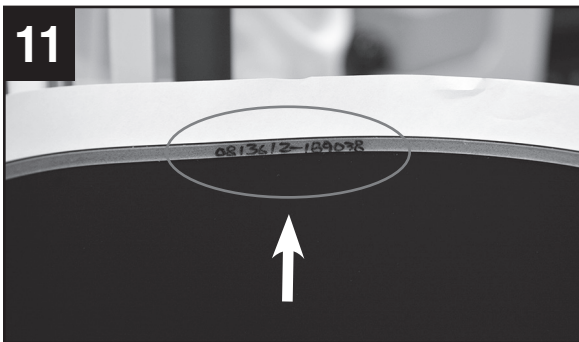
8  
Position the assembly with the handle down (as shown in the picture).



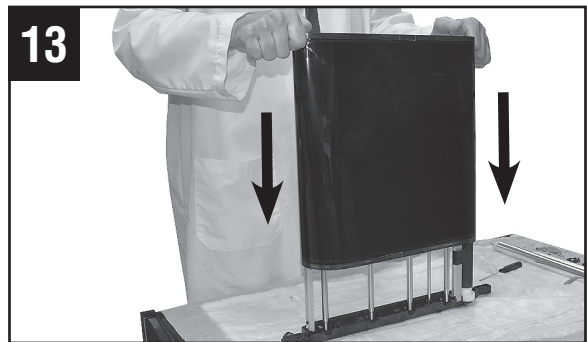
9  
Remove the tension roller by sliding it up and out.



10  
Remove the old belt from the frame.



11  
Locate the lot code written on the inside of the new belt. Position the new belt with the lot code facing up.



13  
Taking great care not to damage the belt, slide the new belt onto the frame.

14. Reassemble all other parts in reverse order.

**Note:** Prior to re-installing the cleaning blade assembly, apply drum lubricating powder (Katun recommends Kynar powder – Katun part number 707200) to approximately half the outer belt surface. Install the cleaning blade assembly on to the powdered surface, and then manually rotate the belt in the normal direction until the powder is cleaned from the belt.