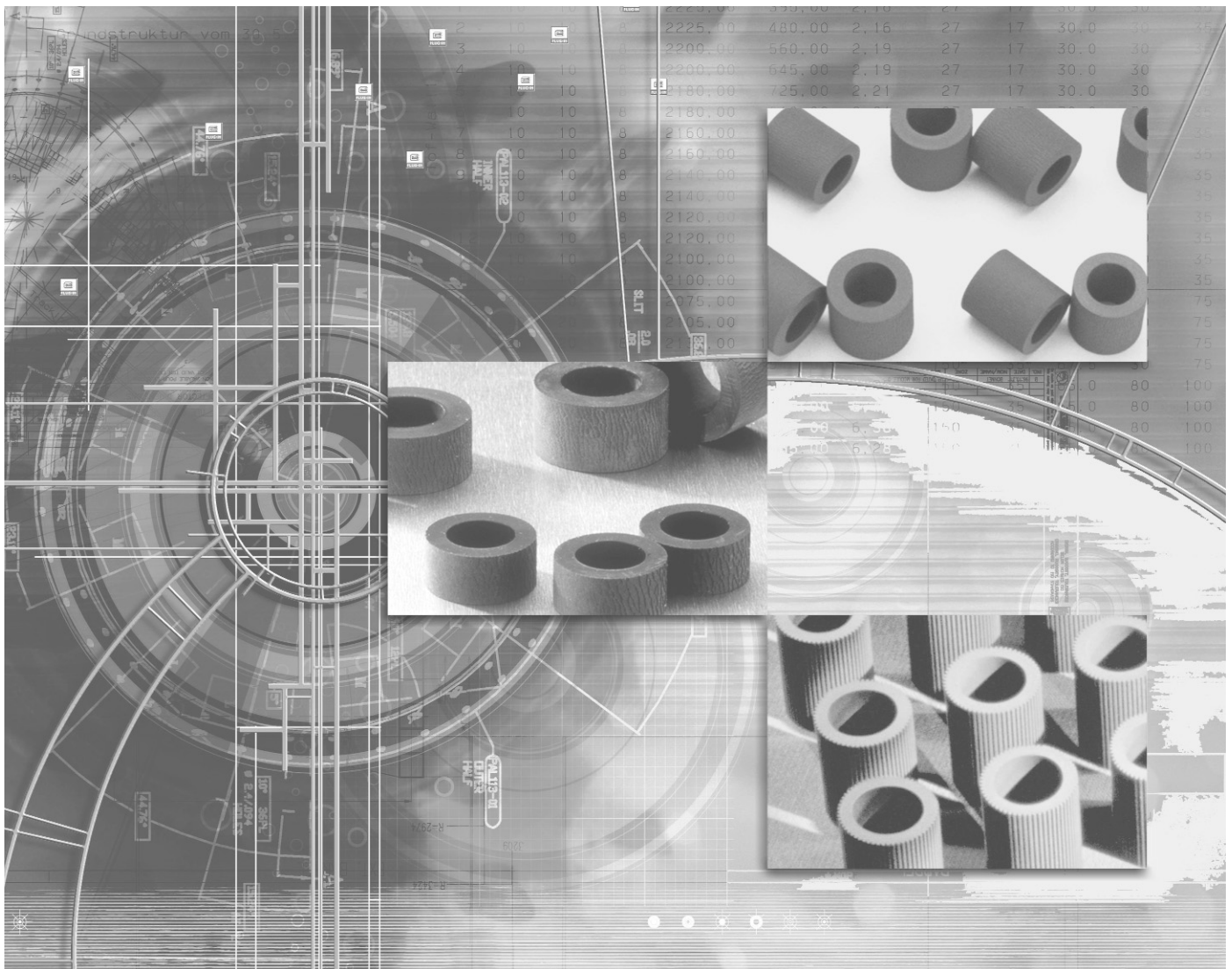


# Feed Component Guide

## for Sharp Copiers



This guide is designed to help you order high-quality, cost-effective Katun feed components for all the Sharp copiers listed below. You can easily identify the correct Katun part number for a particular feed component in either of two ways:

1. Cross-reference Katun part number against the OEM part number, or
2. Locate the feed component in the appropriate machine illustration and then reference its identification letter in the product listing.

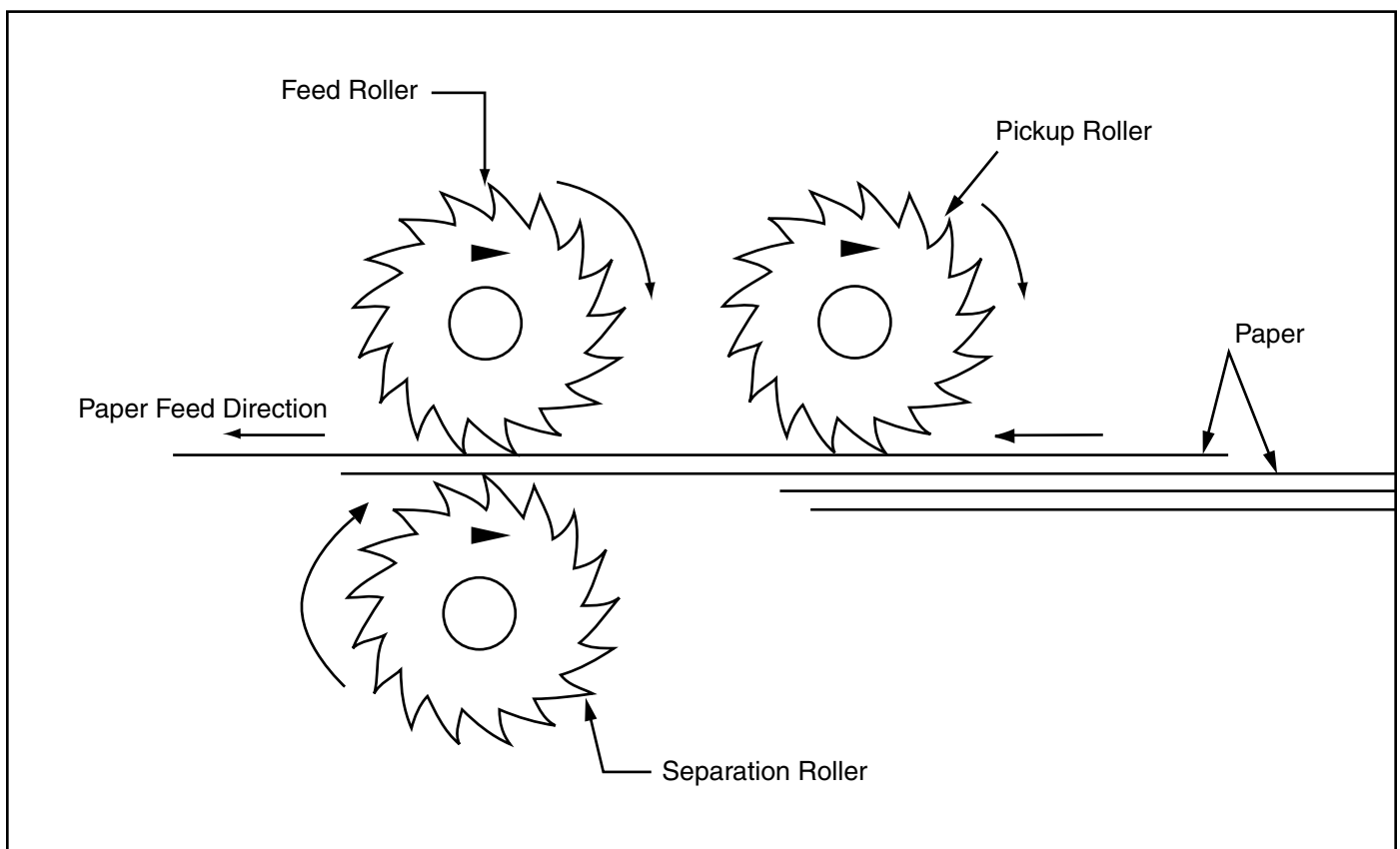
<b>Sharp Copier Model</b>	<b>Page Number</b>
AR-151	4
AR-205	5
AR-M 350	6-7
AR-505	8
AR-5125, 5132	9
SD-2060, 3062	10
SF-2020, 2120	11
SF-2022/N, 2027/N	12-13
SF-2025, 2030	14-15
SF-2035	16-17
SF-2040	18-19
SF-2050	20-21
SF-2052	22-23
SF-2116, 2118	24
SF-2216	25
SF-7300, 7320, 7370, 7371	26

*Katun feed components are sold "tire only" unless otherwise noted.*

**For the most current feed component cross-reference information, visit [www.katun.com/resourcecenter/feedcompguide.html](http://www.katun.com/resourcecenter/feedcompguide.html)**

## Installing Katun Feed Tires? Proper Installation Ensures Excellent Performance

Every "crepe-style" (textured surface) Katun feed tire is imprinted with a directional arrow. When installing, it is essential that the imprinted arrow points in the direction of required tire rotation. In certain machine applications, this may mean that the side for the tire that bears the imprinted arrow faces toward the technician; in other applications, the arrow side may face toward the rear of the machine.

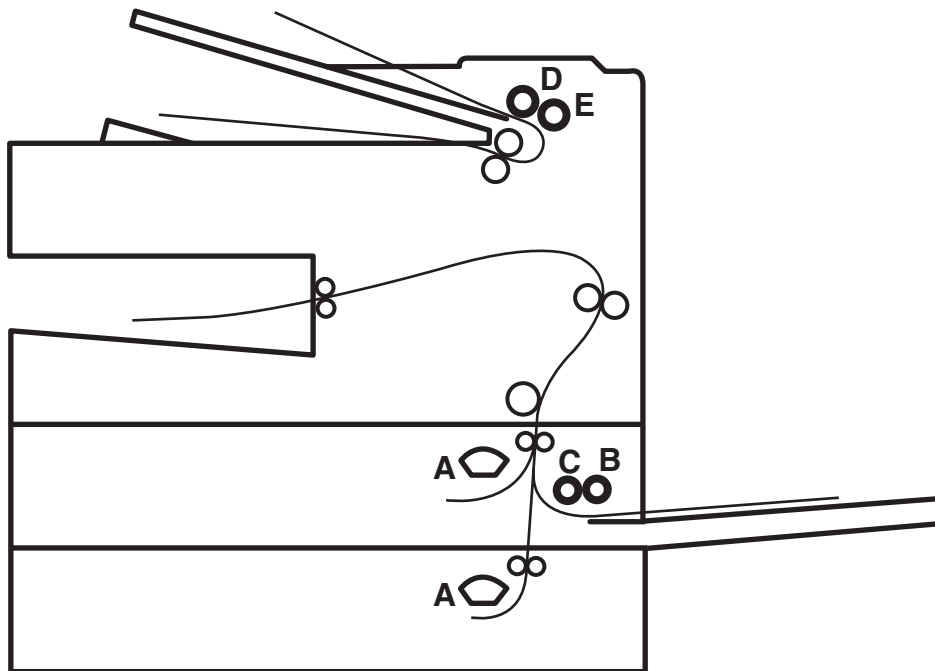


## Feed Component Care Tips

- *Keep bags sealed tightly until feed components will be installed.*
- *Store feed components in a cool, dry, and dark location.*
- *Clean feed components ONLY with soap and warm water.*

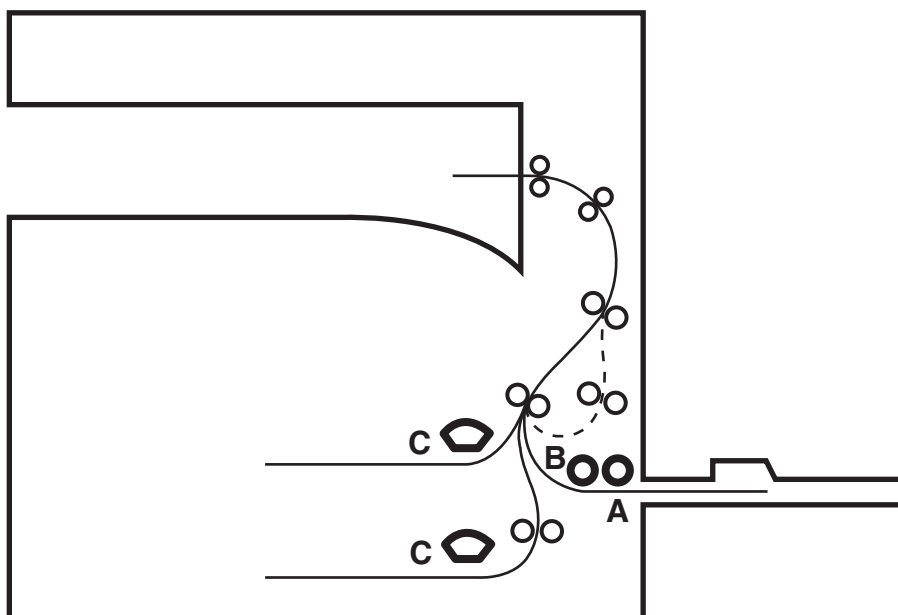
## Sharp AR-151 (with Ar DE 9, AR FX 3)

	Description	OEM PN	Katun PN
A	Feed Roller	CROLP0015QS01	23035
B	Manual Pickup Tire	CGUMM0288FC31	14266
C	Manual Feed Tire	CGUMM0286FC31	9690
D	Original Pickup Tire	CGUMM0288FC31	14266
E	Original Feed Tire	CGUMM0286FC31	9690



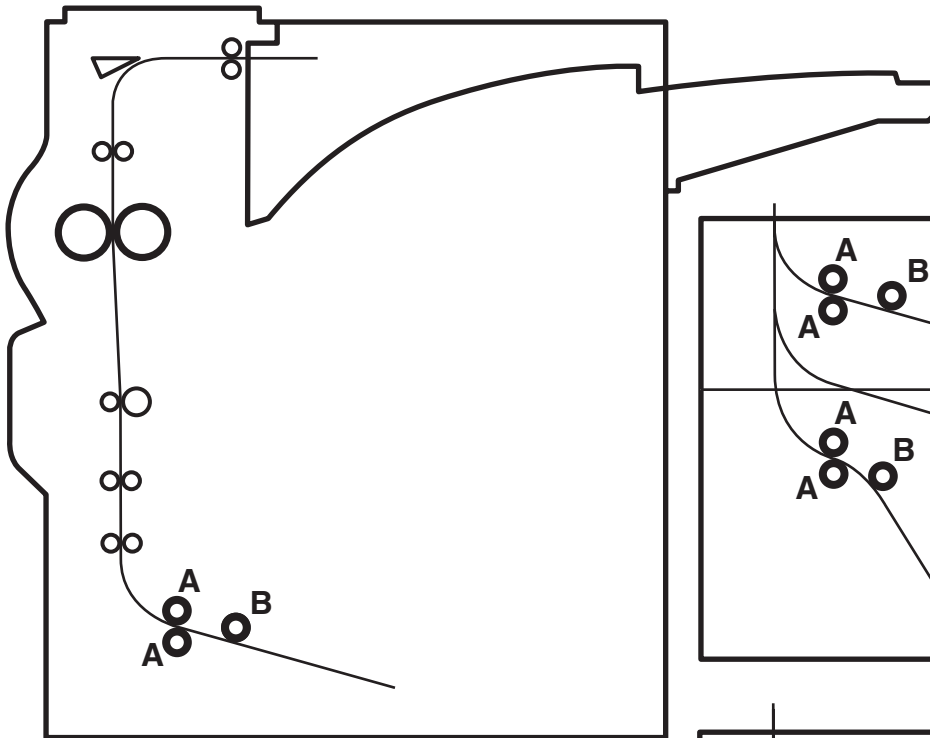
## Sharp AR-205

	Description	OEM PN	Katun PN
A	Manual Pickup Tire	CGUMM0288FC31 CROLP1115FC01	14266
B	Manual Feed Tire	CGUMM0286FC31	9690
C	Feed Tire	PGUMM0012QSZZ	22795

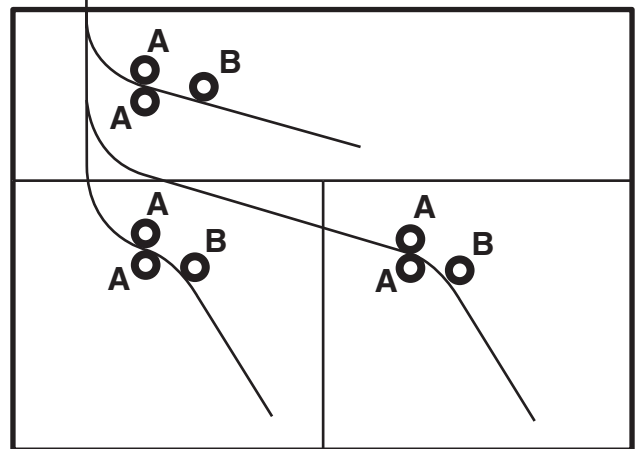


## Sharp AR-M 350 (with AR-D 13, AR-D 14, AR-MU 1)

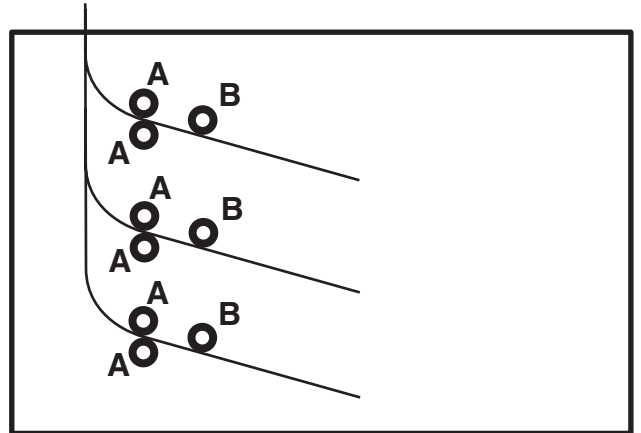
AR-M 350



AR-D 13



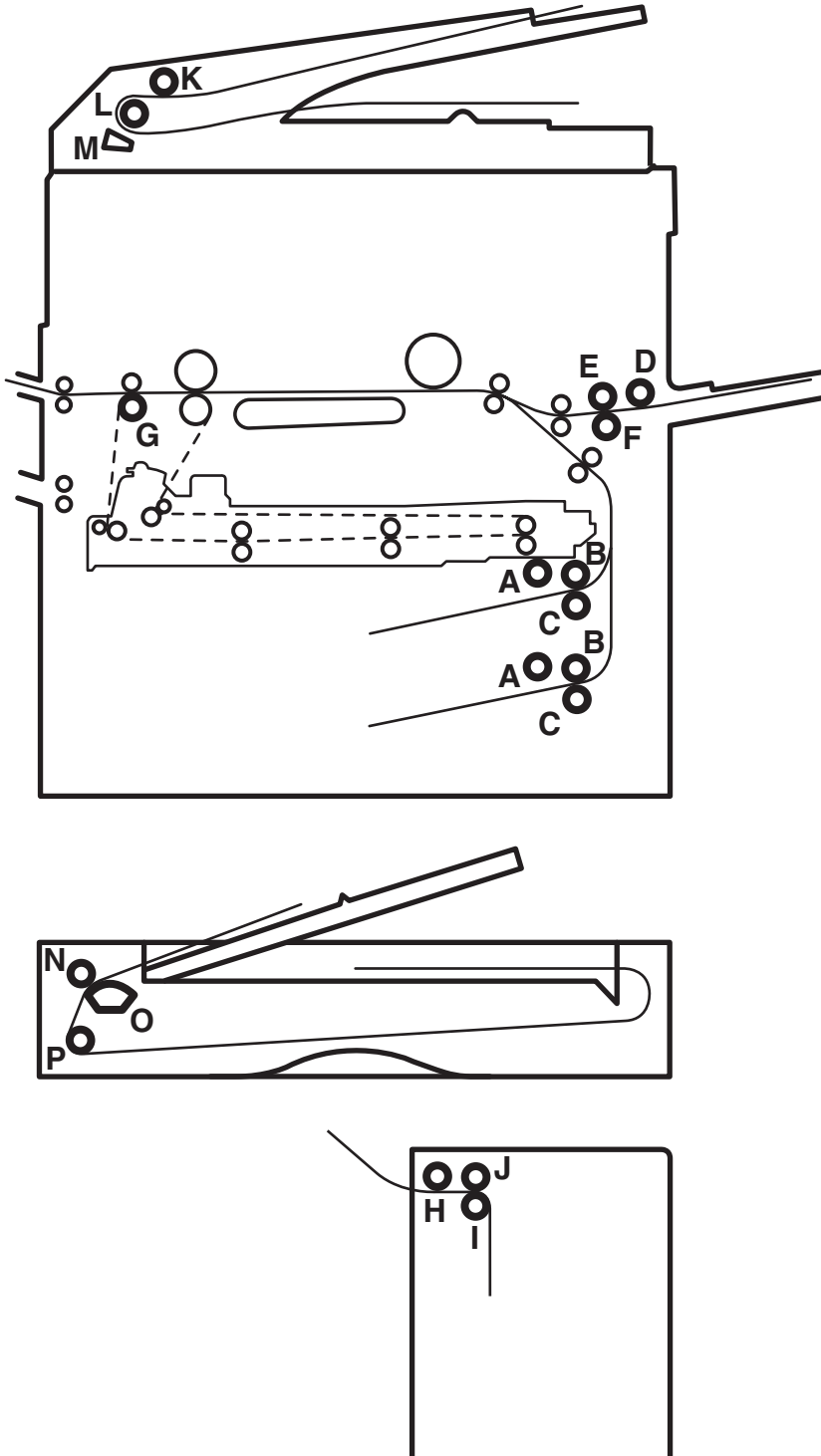
AR-MU 1



AR-D 14

	<b>Description</b>	<b>OEM PN</b>	<b>Katun PN</b>
<b>A</b>	<b>Feed/Separation Roller (with hub assembly)</b>	NR0LR1311FCZZ	<b>22788</b>
<b>B</b>	<b>Pickup Roller (with hub assembly)</b>	NR0LR1312FCZZ	<b>22789</b>
<b>C</b>	<b>Sponge Delivery Tire</b>	PCUSS0383FCZZ	<b>29520</b>

## Sharp AR-505 (with AR F 1, AR LC 1N)



Description	OEM PN	Katun PN
<b>A</b> Pickup Roller (with hub assembly)	NROLR1219FCZZ	<b>18451</b>
<b>B</b> Feed Roller (with hub assembly)	NROLR1218FCZZ	<b>18450</b>
<b>C</b> Reverse Roller (with hub assembly)	NROLR1229FCZZ	<b>18452</b>
<b>D</b> Manual Pickup Roller	NROLR1240FCZZ NROLR1219FCZZ	<b>21458</b>
<b>E</b> Manual Feed Roller	NROLR1241FCZZ	<b>21483</b>
<b>F</b> Manual Reverse Roller	NROLR1220FCZZ	<b>21479</b>
<b>G</b> Curl Adjustment Roller	NROLR1285FCZZ	<b>21824</b>
<b>H</b> Pickup Roller	NROLR1114FCZZ	<b>14266</b>
<b>I</b> Reverse Roller	NROLR1093FCZZ	<b>11352</b>
<b>J</b> Feed Roller	NROLR1049FCZZ	<b>12632</b>
<b>K</b> Pickup Roller	OCW2254P302//	<b>21896</b>
<b>L</b> Separation Roller	OCW2254P301//	<b>21614</b>
<b>M</b> Separation Pad	OCW2254K073B/	<b>22962</b>
<b>N</b> Original Feed Roller	OCW2214P339//	<b>14070</b>
<b>O</b> Original Pickup Roller (with hub assembly)	OCW2214P471//	<b>19943</b>
<b>P</b> Original Separation Roller (with hub assembly)	OCW2231K064//	<b>19944</b>

### REPLACEMENT KIT

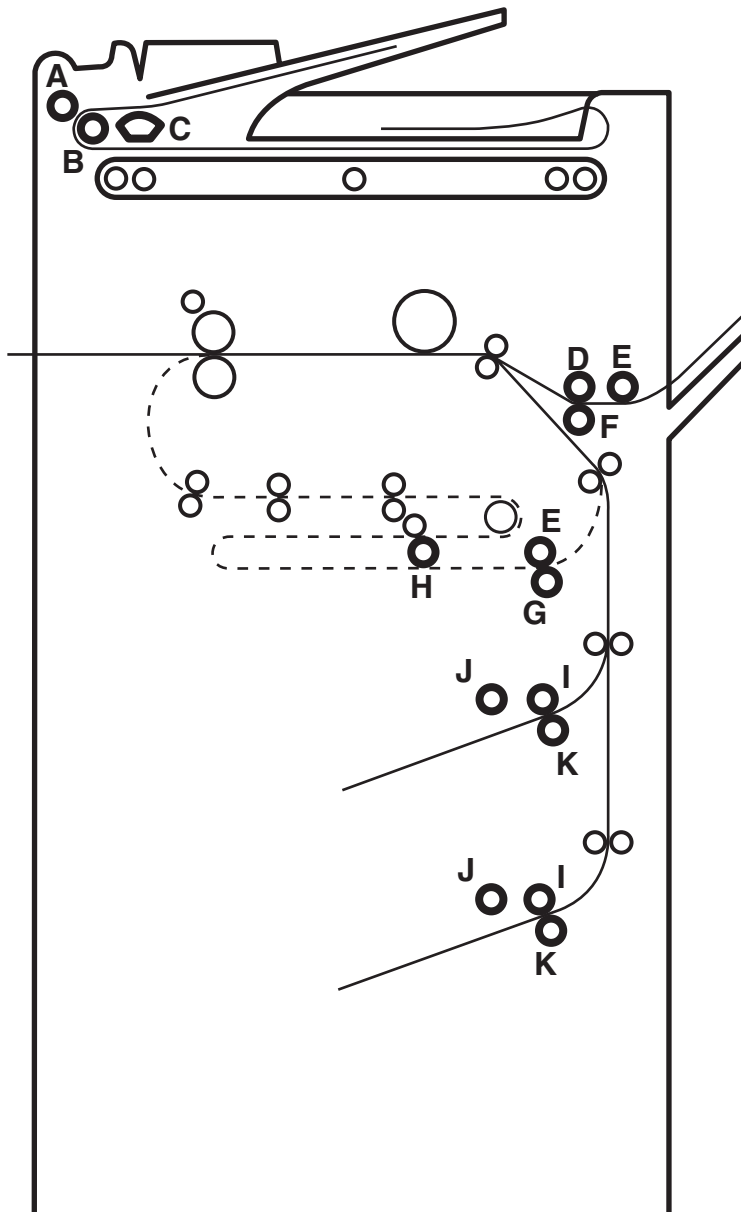
Description	Katun PN
<b>Feed Roller Replacement Kit</b>	<b>19752</b>
<i>Kit Includes:</i>	
<b>A</b> Pickup Roller (with hub assembly)	
<b>B</b> Feed Roller (with hub assembly)	
<b>C</b> Reverse Roller (with hub assembly)	

### MAINTENANCE KIT

Description	OEM PN	Katun PN
<b>125K Maintenance Kit</b>	AR-505KA1	<b>18368</b>
<b>125K Maintenance Kit</b>	COUGARPMK-125	<b>20766</b>
<b>250K Maintenance Kit</b>	COUGARPMK-250	<b>20886</b>



## Sharp AR-5125, 5132



Description	OEM PN	Katun PN
<b>A</b> Original Separation Roller (with hub assembly)	OCW2231K064//	<b>19944</b>
<b>B</b> Original Feed Roller	OCW2214P339//	<b>14070</b>
<b>C</b> Original Pickup Roller (with hub assembly)	OCW2214P471//	<b>19943</b>
<b>D</b> Manual Feed Roller	NROLR1051FCZZ	<b>12886</b>
<b>E</b> Manual Pickup Tire	CGUMM0288FC31 CROLP1115FC01	<b>14266</b>
<b>F</b> Manual Reverse Roller Assembly	CSFTZ2233FC31	<b>13175</b>
<b>G</b> Separation Tire	CGUMM0287FC31 NROLR0909FCZZ	<b>16309</b>
<b>H</b> Feed Roller	NROLR0986FCZZ	<b>11352</b>
<b>I</b> Feed Roller	NROLR1049FCZZ	<b>12632</b>
<b>J</b> Pickup Roller	NROLR1114FCZZ	<b>14266</b>
<b>K</b> Reverse Roller	NROLR1093FCZZ	<b>11352</b>

### REPLACEMENT KIT

Description	Katun PN
<b>Feed Tire Replacement Kit</b> <i>Kit Includes:</i>	<b>14639</b>
<b>I</b> (1) Feed Roller	
<b>J</b> (1) Pickup Roller	
<b>K</b> (1) Reverse Roller	

### MAINTENANCE KIT

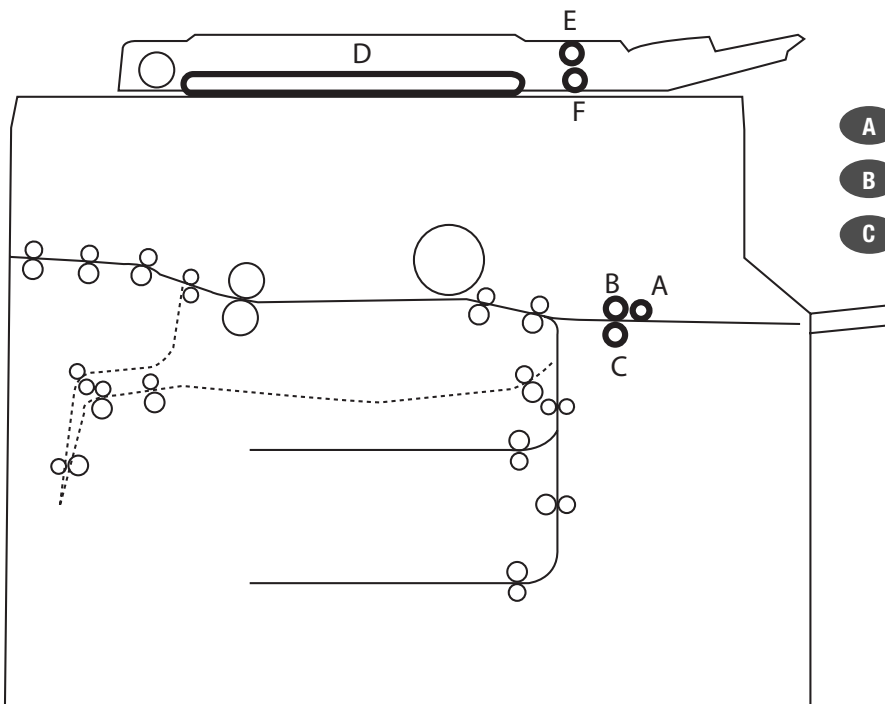
Description	OEM PN	Katun PN
800K Maintenance Kit	N/P/N	<b>18868</b>

## Sharp SD-2060, 2175, 2260, 2275, 3062

Description	OEM PN	Katun PN
<b>A</b> Manual Pickup Roller	NROLR0956FCZZ	<b>12782</b>
<b>B</b> Manual Feed Roller	NROLR0955FCZZ	<b>12756</b>
<b>C</b> Manual Reverse Roller	NROLR0964FCZZ	<b>13017</b>
<b>D</b> Original Document Feed Belt (SD-2060, 2175, 2275)	OCW2176P382A/	<b>11871</b>
<b>D</b> Original Document Feed Belt (SD-2260)	OCW2176P382//	<b>11871</b>
<b>D</b> Original Document Feed Belt (SD-3062)	OEUBLT0304D//	<b>16853</b>
<b>E</b> Original Feed Roller (SD-2060)	OCW2148P095A/	<b>11310</b>
<b>E</b> Original Feed Roller (SD-2175, 2260, 2275)	OCW2148P095//	<b>11310</b>
<b>F</b> Original Separation Roller (SD-2060)	OCW2148P096A/	<b>18143</b>
<b>F</b> Original Separation Roller (SD-2175, 2260, 2275)	OCW2148P096//	<b>18143</b>

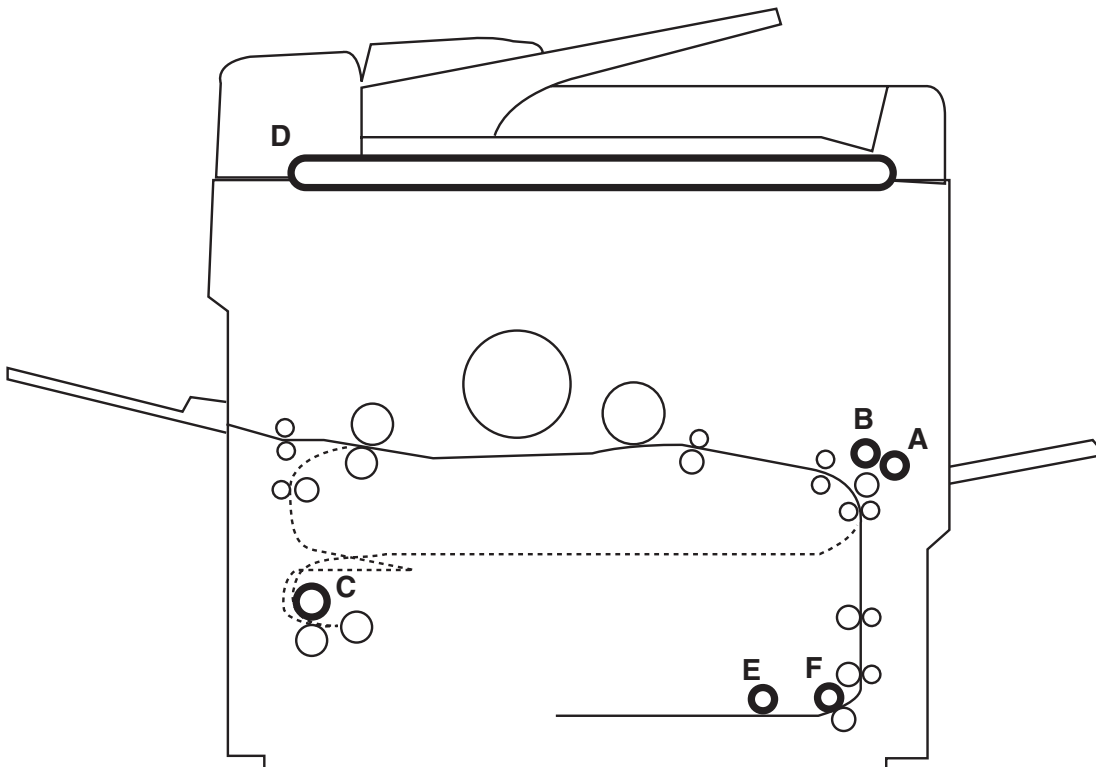
### REPLACEMENT KIT

Description	Katun PN
<b>Feed Tire Replacement Kit</b> <i>Kit Includes:</i>	<b>13264</b>
<b>A</b> (2) Manual Pickup Rollers	
<b>B</b> (2) Manual Feed Rollers	
<b>C</b> (2) Manual Reverse Rollers	

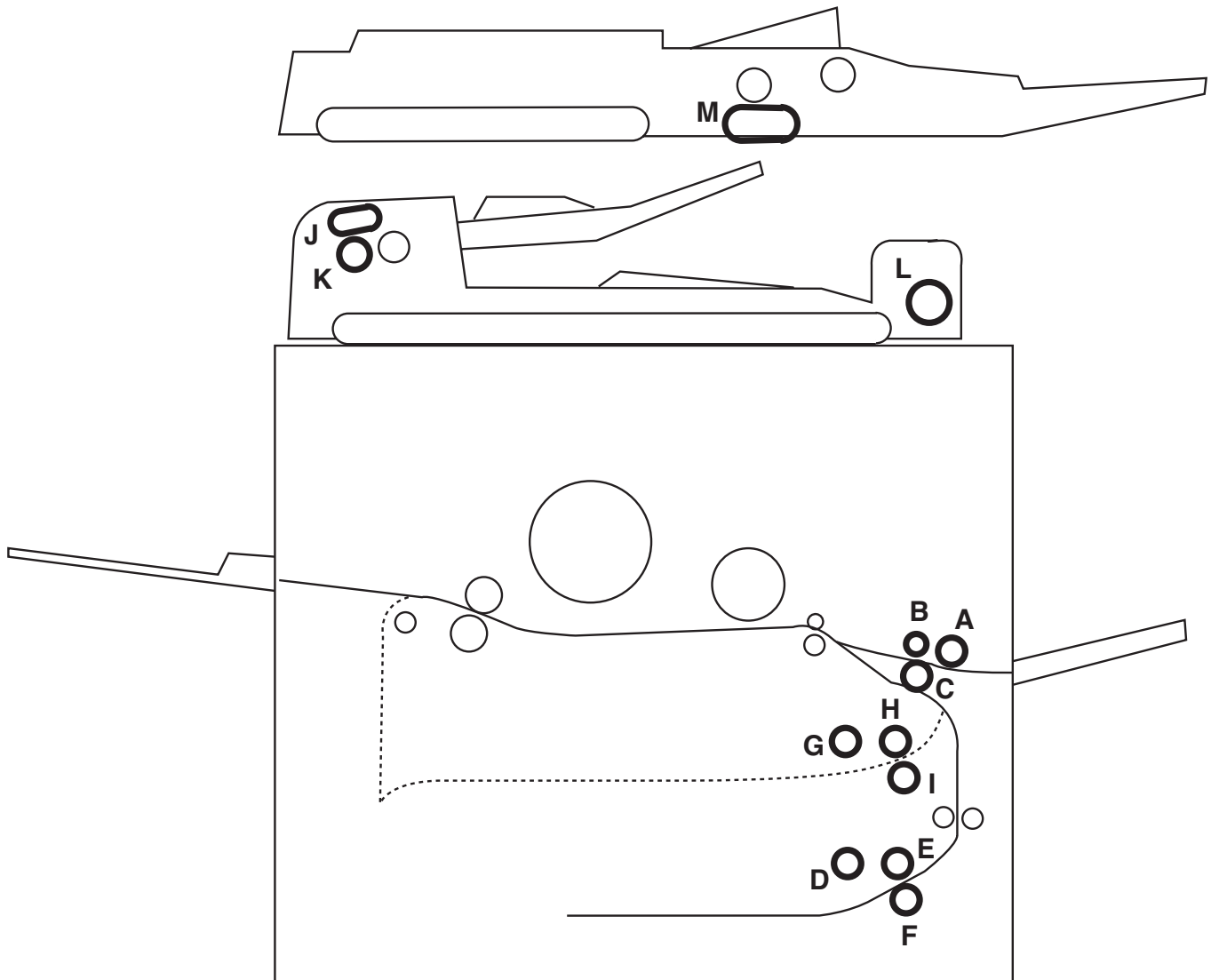


## Sharp SF-2020, 2120 (with SF-A18 pr SF-A57)

	Description	OEM PN	Katun PN
<b>A</b>	Manual Pickup Roller	CROLP0921FC01	<b>11442</b>
<b>B</b>	Manual Feed Roller (SF-2120)	NROLR0955FCZZ	<b>12756</b>
<b>C</b>	Duplex Reverse Roller (SF-2120)	NROLR0964FCZZ	<b>13017</b>
<b>D</b>	Original Document Feed Belt (SF-A57)	0CW2214P353//	<b>15391</b>
<b>E</b>	Pickup Roller (SF-2020)	NROLR0878FCZZ	<b>11076</b>
<b>F</b>	Feed Roller	NROLR1049FCZ1	<b>12632</b>



## Sharp SF-2022/N, 2027/N (with SF-A14, SF-A54, or SF-DM11)



	Description	OEM PN	Katun PN
A	Manual Pickup Roller	CROLP0921FC01	11442
B	Manual Feed Tire	CGUMM0286FC31	09690
C	Manual Reverse Roller	CSFTZ1771FC31	11357
D	Pickup Roller	NROLR0920FCZZ	11442
D	Pickup Roller (with hub assembly) (New Style)	NROLR1219FCZZ	18451
E	Feed Roller	NROLR0901FCZZ	11352
E	Feed Roller (with hub assembly) (New Style)	NROLR1218FCZZ	18450
F	Reverse Roller	NROLR0902FCZZ	11352
F	Reverse Roller (with hub assembly) (New Style)	NROLR1229FCZZ	18452
G	Duplex Pickup Roller (with hub assembly)	NROLR0904FCZZ	23073
H	Duplex Feed Roller (OEM Style)	NROLR0986FCZZ	20763
H	Duplex Feed Roller	NROLR0986FCZZ	11352
I	Duplex Reverse Roller	NROLR0909FCZZ	16309
J	Original Separation Belt (SF-A54)	OCW2158P492A/	14427
K	Original Resist Roller (SF-A54)	OCW2158P366A/	11370
L	Original Reverse Roller (SF-A54)	OCW2158P317A/	13785
M	Original Separation Belt (SF-A14)	OCW2199P421//	14427

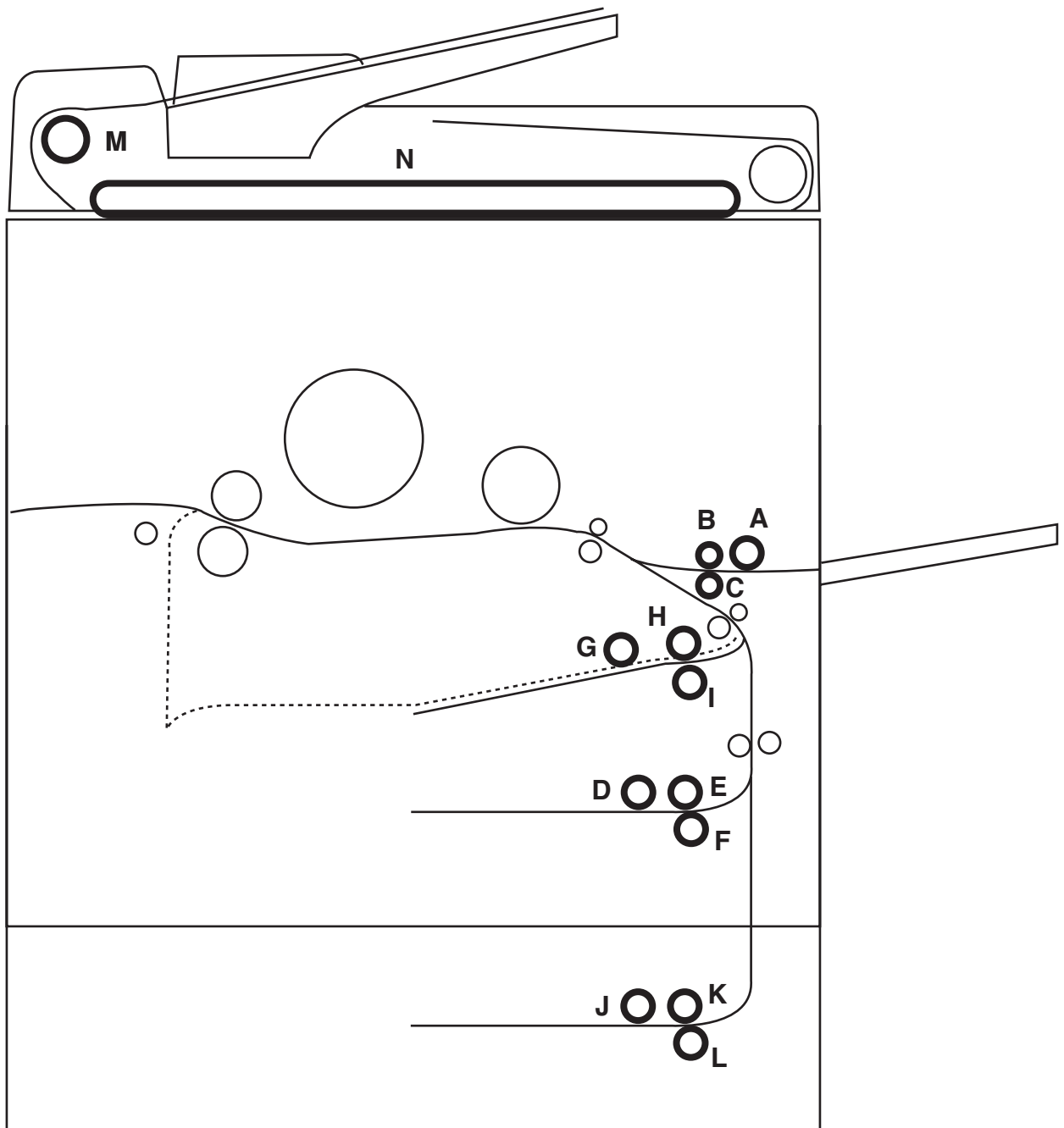
## REPLACEMENT KIT

Description	Katun PN
<b>Feed Tire Replacement Kit</b> <i>Kit Includes:</i>	12325
D (1) Pickup Roller	
E (1) Feed Roller	
F (1) Reverse Roller	

---

Description	Katun PN
<b>Feed Roller Replacement Kit (New Style)</b> <i>Kit Includes:</i>	19752
D (1) Pickup Roller (with hub assembly)	
E (1) Feed Roller (with hub assembly)	
F (1) Reverse Roller (with hub assembly)	

**Sharp SF-2025, 2030  
(with SF-A17, SF-A56, SF-D21, or SF-DM11)**

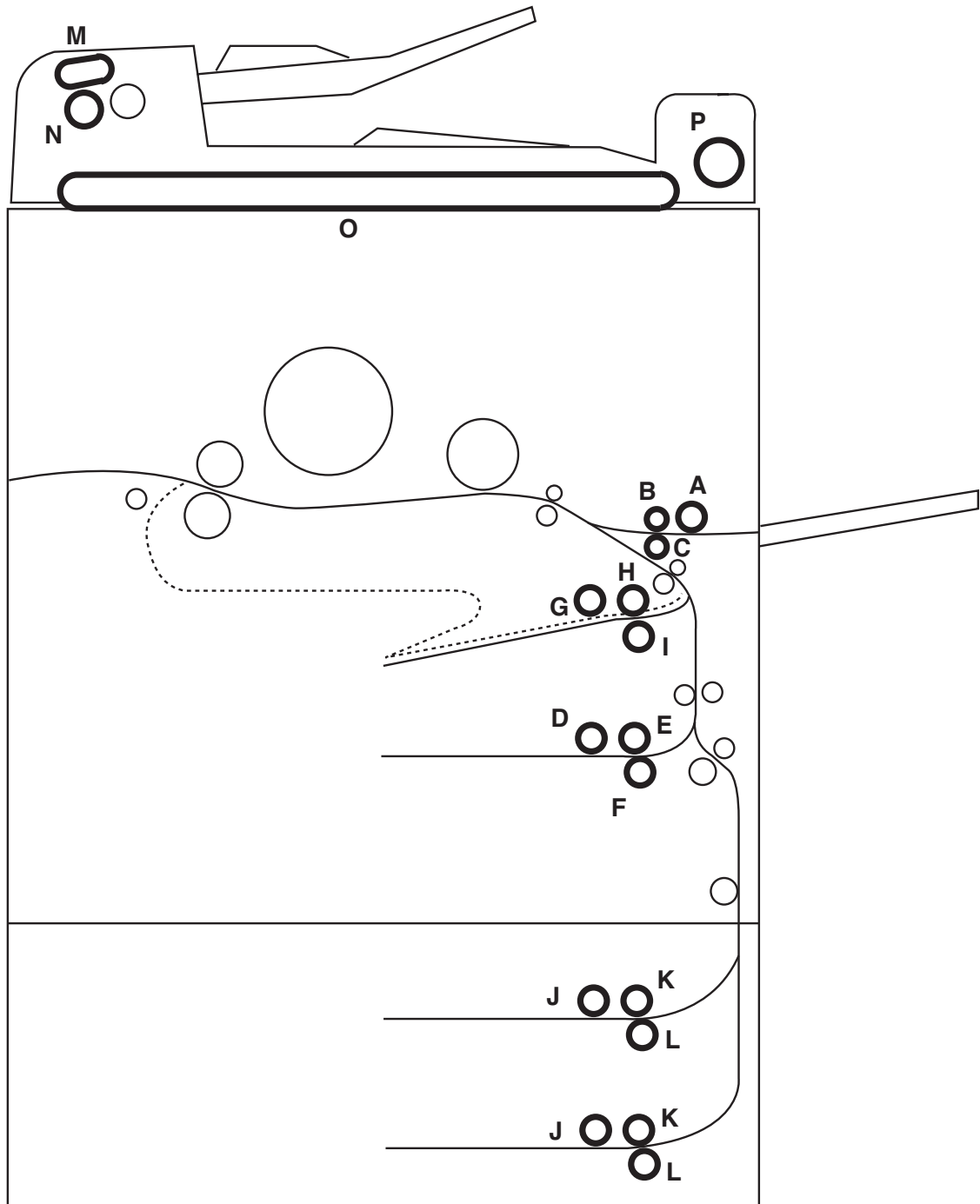


	Description	OEM PN	Katun PN
A	Manual Pickup Tire	CROLP1115FC01	14266
B	Manual Feed Roller	NROLR1051FCZZ	12886
C	Manual Reverse Roller	CSFTZ2233FC31	13175
D	Pickup Roller	NROLR1114FCZZ	14266
D	Pickup Roller (with hub assembly) (New Style)	NROLR1219FCZZ	18451
E	Feed Roller	NROLR1049FCZZ	12632
E	Feed Roller (with hub assembly) (New Style)	NROLR1218FCZZ	18450
F	Reverse Roller	NROLR1093FCZZ	11352
F	Reverse Roller (with hub assembly) (New Style)	NROLR1229FCZZ	18452
G	Duplex Pickup Roller (with hub assembly)	NROLR0904FCZZ	23073
H	Duplex Feed Roller	NROLR0986FCZZ	11352
I	Duplex Reverse Roller	NROLR0909FCZZ	16309
J	Pickup Roller (SF-D21)	NROLR0920FCZZ	11442
K	Feed Roller (SF-D21)	NROLR0901FCZZ	11352
L	Reverse Roller (SF-D21)	NROLR0902FCZZ	11352
M	Original Feed Roller (SF-A17, SF-A56)	OCW2214P339//	14070
N	Original Document Feed Belt (SF-A17, SF-A56)	OCW2214P353//	19289

## REPLACEMENT KIT

Description	Katun PN
<b>Feed Tire Replacement Kit</b> <i>Kit Includes:</i>	<b>14639</b>
D (1) Pickup Roller	
E (1) Feed Roller	
F (1) Reverse Roller	
<hr/>	
<b>Feed Tire Replacement Kit (SF-D21)</b> <i>Kit Includes:</i>	<b>12325</b>
I (1) Pickup Roller	
J (1) Feed Roller	
K (1) Reverse Roller	
<hr/>	
<b>Feed Roller Replacement Kit (New Style)</b> <i>Kit Includes:</i>	<b>19752</b>
D (1) Pickup Roller (with hub assembly)	
E (1) Feed Roller (with hub assembly)	
F (1) Reverse Roller (with hub assembly)	

## Sharp SF-2035 (with SF-A54, SF-CM11, SF-DM11, SF-D20, or SF-D21)



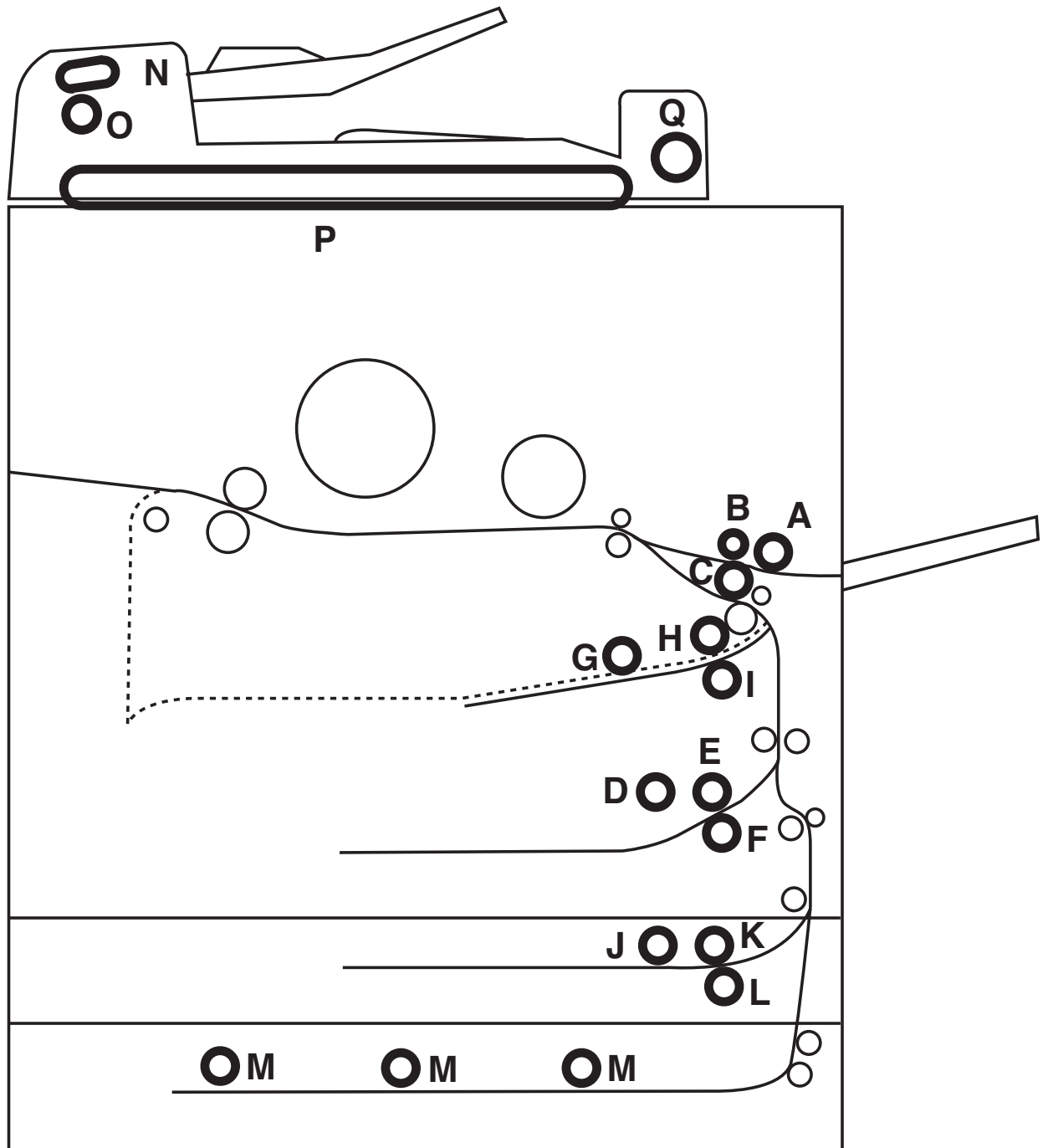


Description	OEM PN	Katun PN
<b>A</b> Manual Pickup Roller	CROLPO921FC01	<b>11442</b>
<b>B</b> Manual Feed Tire	CGUMMO286FC31	<b>09690</b>
<b>C</b> Manual Reverse Roller	CSFTZ1771FC31	<b>11357</b>
<b>D</b> Pickup Roller	NROLR0920FCZZ	<b>11442</b>
<b>D</b> Pickup Roller (with hub assembly) (New Style)	NROLR1219FCZZ	<b>18451</b>
<b>E</b> Feed Roller	NROLR0901FCZZ	<b>11352</b>
<b>E</b> Feed Roller (with hub assembly) (New Style)	NROLR1218FCZZ	<b>18450</b>
<b>F</b> Reverse Roller	NROLR0902FCZZ	<b>11352</b>
<b>F</b> Reverse Roller (with hub assembly)	NROLR0902FCZZ	<b>16479</b>
<b>F</b> Reverse Roller (with hub assembly) (New Style)	NROLR1229FCZZ	<b>18452</b>
<b>G</b> Duplex Pickup Roller (with hub assembly) (SF-CM11)	NROLR0904FCZZ	<b>23073</b>
<b>H</b> Duplex Feed Roller	NROLR0986FCZZ	<b>11352</b>
<b>I</b> Duplex Reverse Roller	NROLR0909FCZZ	<b>16309</b>
<b>J</b> Pickup Roller (SF-D20, SF-D21, SF-CM11)	NROLR0920FCZZ	<b>11442</b>
<b>K</b> Feed Roller (SF-CM11, SF-D20, SF-D21) (with hub assembly)	NROLR0901FCZZ	<b>11352</b>
<b>L</b> Reverse Roller (SF-CM11, SF-D20, SF-D21)	NROLR0902FCZZ	<b>11352</b>
<b>M</b> Original Separation Belt (SF-A54)	OCW2158P492A/	<b>14427</b>
<b>N</b> Original Resist Roller (SF-A54)	OCW2158P366A/	<b>11370</b>
<b>O</b> Original Transport Belt (SF-A54)	OCW2168P355A/	<b>10444</b>
<b>P</b> Original Reverse Roller (SF-A54)	OCW2158P317A/	<b>13785</b>

## REPLACEMENT KIT

Description	Katun PN
<b>Feed Tire Replacement Kit</b> <i>Kit Includes:</i>	<b>12325</b>
<b>D</b> (1) Pickup Roller	
<b>E</b> (1) Feed Roller	
<b>F</b> (1) Reverse Roller	
<b>Feed Roller Replacement Kit</b> (SF-CM11, SF-D20, SF-D21) <i>Kit Includes:</i>	<b>19752</b>
<b>J</b> (1) Pickup Roller (with hub assembly)	
<b>K</b> (1) Feed Roller (with hub assembly)	
<b>L</b> (1) Reverse Roller (with hub assembly)	

## Sharp SF-2040 (with SF-A55, SF-CM11, SF-DM11, or SF-D23)

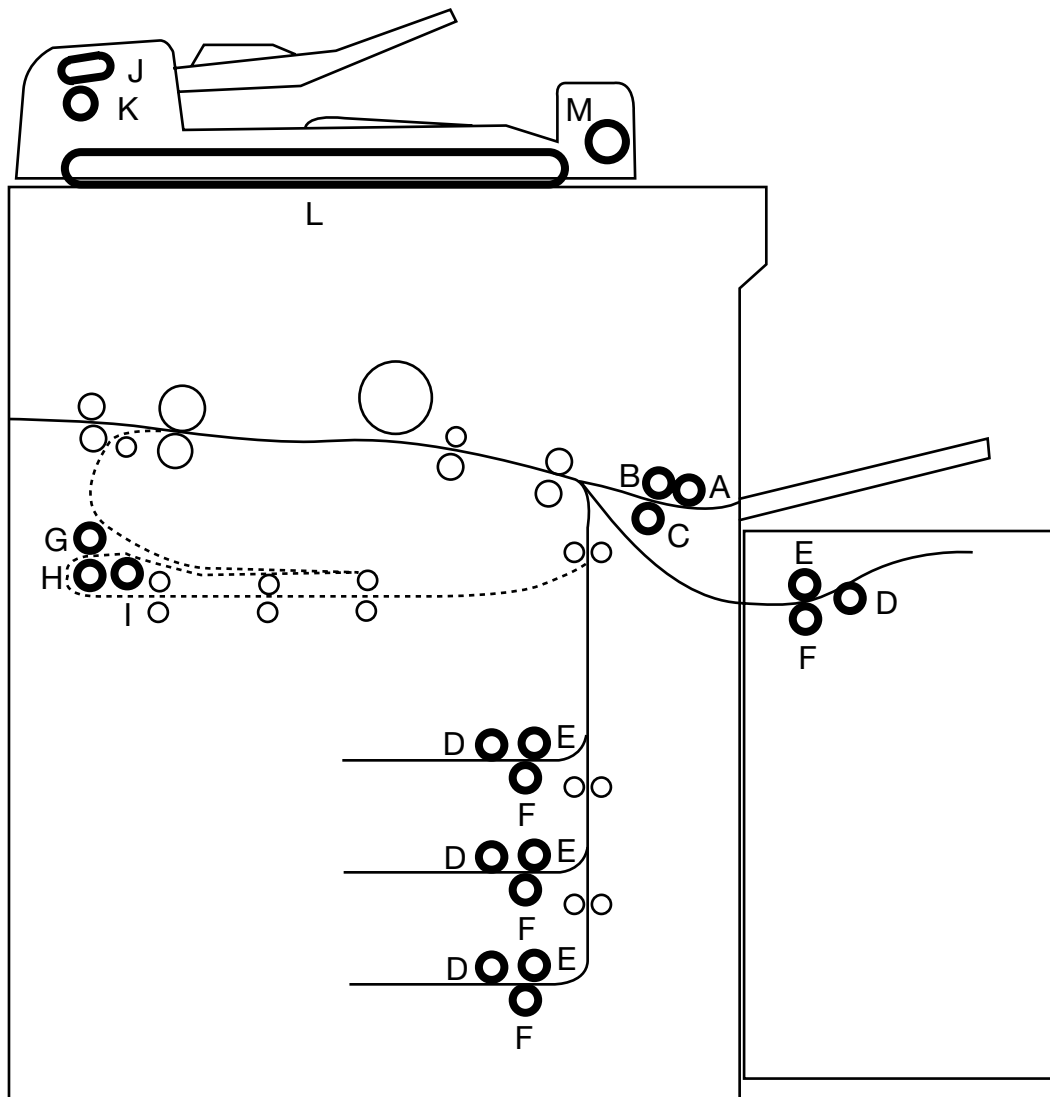


Description	OEM PN	Katun PN
<b>A</b> Manual Pickup Roller Manual Pickup Tire	CROLP1115FC01 CGUMM0288FC31	<b>14266</b>
<b>B</b> Manual Feed Roller	NROLR1051FCZZ	<b>12886</b>
<b>C</b> Manual Reverse Roller	CSFTZ2233FC31	<b>13175</b>
<b>D</b> Pickup Roller	NROLR1114FCZZ	<b>14266</b>
<b>D</b> Pickup Roller (with hub assembly) (New Style)	NROLR1219FCZZ	<b>18451</b>
<b>E</b> Feed Roller	NROLR1049FCZZ	<b>12632</b>
<b>E</b> Feed Roller (with hub assembly) (New Style)	NROLR1218FCZZ	<b>18450</b>
<b>F</b> Reverse Roller	NROLR1093FCZZ	<b>11352</b>
<b>F</b> Reverse Roller (with hub assembly) (New Style)	NROLR1229FCZZ	<b>18452</b>
<b>G</b> Duplex Pickup Roller (with hub assembly)	NROLR0904FCZZ	<b>23073</b>
<b>H</b> Duplex Feed Roller	NROLR0986FCZZ	<b>11352</b>
<b>I</b> Duplex Reverse Roller	NROLR0909FCZZ	<b>16309</b>
<b>J</b> Pickup Roller (SF-CM11)	NROLR0920FCZZ	<b>11442</b>
<b>K</b> Feed Roller	NROLR0901FCZZ	<b>11352</b>
<b>L</b> Reverse Roller	NROLR0902FCZZ	<b>11352</b>
<b>M</b> Feed Roller	OCW4051P397//	<b>16761</b>
<b>N</b> Original Separation Belt (SF-A55)	OCW2198P320//	<b>14427</b>
<b>O</b> Original Feed Roller (SF-A55)	OCW2198P331//	<b>11370</b>
<b>P</b> Original Transport Belt (SF-A55)	OCW2168P355A/	<b>20057</b>
<b>Q</b> Original Reverse Roller (SF-A55)	OCW2158P317A/	<b>13785</b>

## REPLACEMENT KIT

Description	Katun PN
<b>Feed Tire Replacement Kit</b> <i>Kit Includes:</i>	<b>12325</b>
<b>I</b> (1) Pickup Roller	
<b>J</b> (1) Feed Roller	
<b>K</b> (1) Reverse Roller	
<hr/>	
<b>Feed Tire Replacement Kit</b> <i>Kit Includes:</i>	<b>14639</b>
<b>D</b> (1) Pickup Roller	
<b>E</b> (1) Feed Roller	
<b>F</b> (1) Reverse Roller	
<hr/>	
<b>Feed Roller Replacement Kit</b> (New Style) <i>Kit Includes:</i>	<b>19752</b>
<b>D</b> (1) Pickup Roller (with hub assembly)	
<b>E</b> (1) Feed Roller (with hub assembly)	
<b>F</b> (1) Reverse Roller (with hub assembly)	

## Sharp SF-2050 (with SF-A55 or SF-C52)

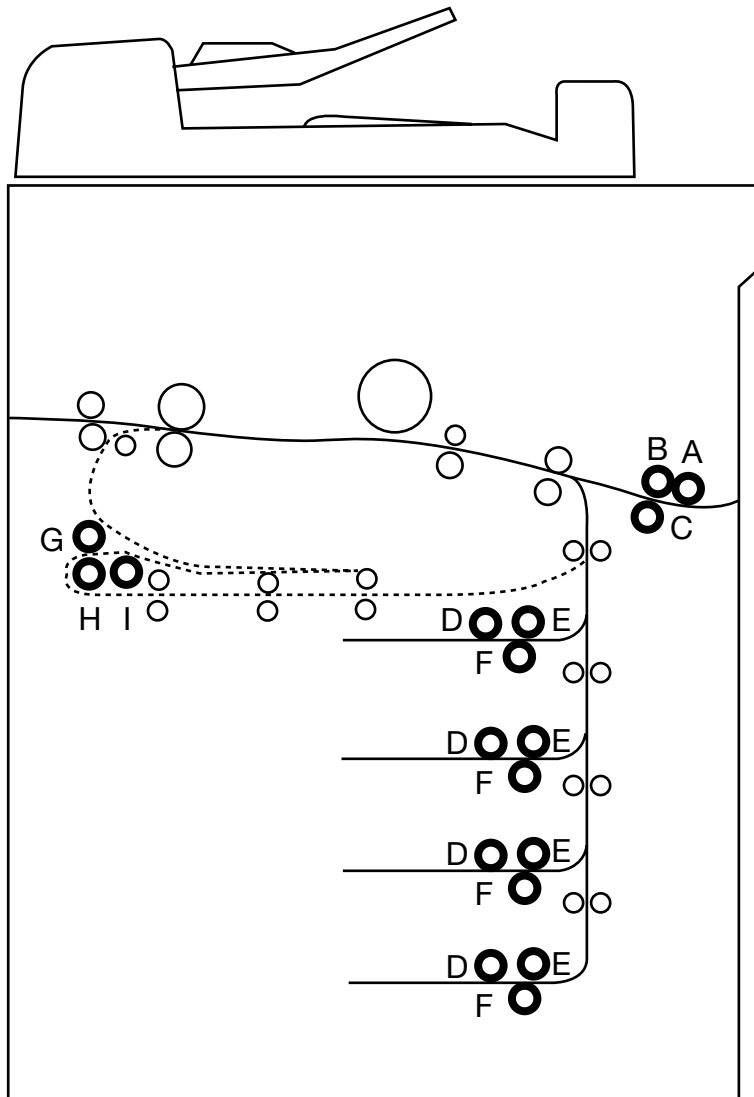


	Description	OEM PN	Katun PN
A	Manual Pickup Roller	CROLP0921FC01	11442
B	Manual Feed Roller	NROLR1051FCZZ	12886
C	Manual Reverse Roller	CROLR1094FC32	13175
D	Pickup Roller	NROLR0920FCZZ	11442
E	Feed Roller	NROLR1049FCZZ	12632
F	Reverse Roller	NROLR1093FCZZ	11352
G	Duplex Feed Roller	NROLR1088FCZZ	13476
H	Duplex Reverse Roller	NROLR0964FCZZ	13017
I	Duplex Pickup Roller	NROLR0956FCZZ	12782
J	Original Separation Belt (SF-A55)	OCW2198P320//	14427
K	Original Feed Roller (SF-A55)	OCW2198P331//	11370
L	Original Document Feed Belt (SF-A55)	OCW2168P355A/	20057
M	Original Reverse Roller (SF-A55)	OCW2158P317A/	13785

## REPLACEMENT KIT

Description	Katun PN
<b>Feed Tire Replacement Kit</b>	<b>15621</b>
<i>Kit Includes:</i>	
D (1) Pickup Roller	
E (1) Feed Roller	
F (1) Reverse Roller	

## Sharp SF-2052



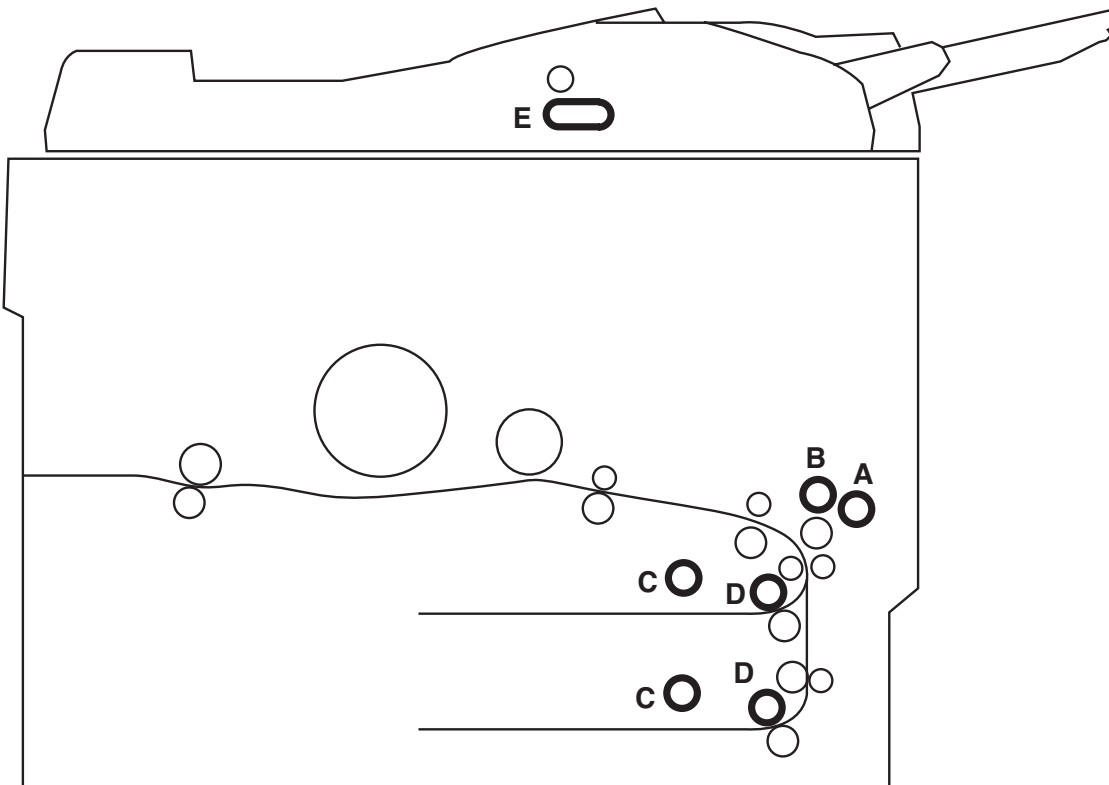
	Description	OEM PN	Katun PN
A	Manual Pickup Roller	NROLR0956FCZZ	12782
B	Manual Feed Roller	NROLR0955FCZZ	12756
C	Manual Reverse Roller	NROLR0964FCZZ	13017
D	Pickup Roller	NROLR1114FCZZ	14266
E	Feed Roller	NROLR1049FCZZ	12632
F	Reverse Roller	NROLR1093FCZZ	11352
G	Duplex Feed Roller	NROLR1088FCZZ	13476
H	Duplex Reverse Roller	NROLR0964FCZZ	13017
I	Duplex Pickup Roller	NROLR0956FCZZ	12782

## REPLACEMENT KIT

Description	Katun PN
<b>Feed Tire Replacement Kit</b>	<b>14639</b>
<i>Kit Includes:</i>	
D (1) Pickup Roller	
E (1) Feed Roller	
F (1) Reverse Roller	

## Sharp SF-2116, 2118 (with SF-A15)

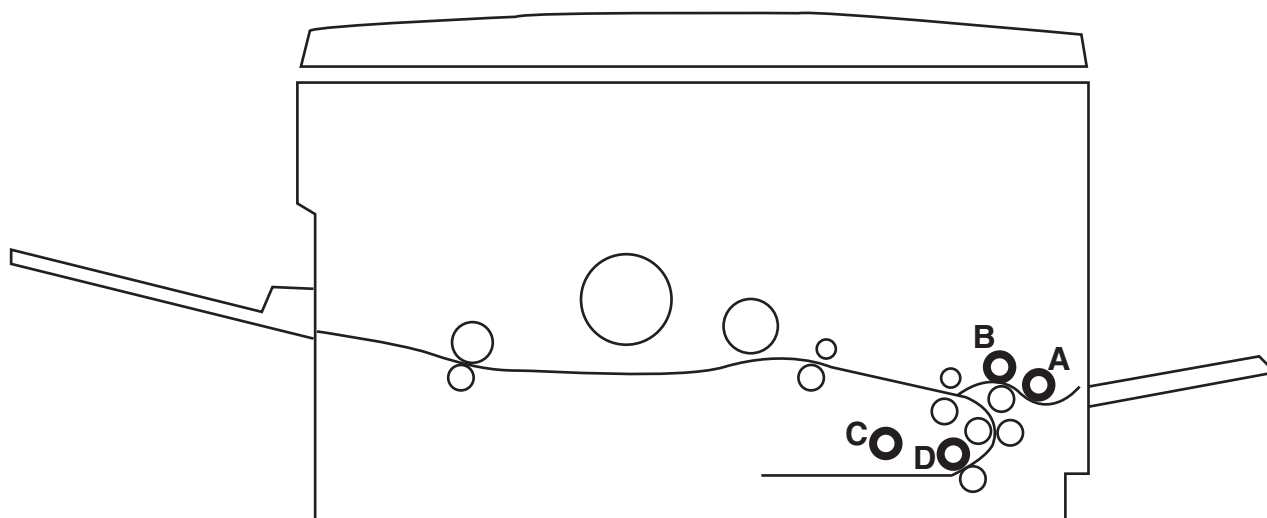
	Description	OEM PN	Katun PN
<b>A</b>	Manual Pickup Roller (SF-MF15)	CROLP0921FC01	<b>11442</b>
<b>B</b>	Manual Feed Roller (SF-MF15)	NROLR0922FCZZ	<b>09690</b>
<b>C</b>	Pickup Roller	NROLR0878FCZZ	<b>11076</b>
<b>D</b>	Feed Roller	NROLR1049FCZ1	<b>12632</b>
<b>E</b>	Original Separation Belt	OCW2199P421//	<b>14427</b>





## Sharp SF-2216

	Description	OEM PN	Katun PN
A	Manual Pickup Roller	CROLP0921FC01	11442
B	Manual Feed Roller	NROLR1051FCZZ	12886
C	Pickup Roller	NROLR0878FCZZ	11076
D	Feed Roller	NROLR1049FCZ1	12632

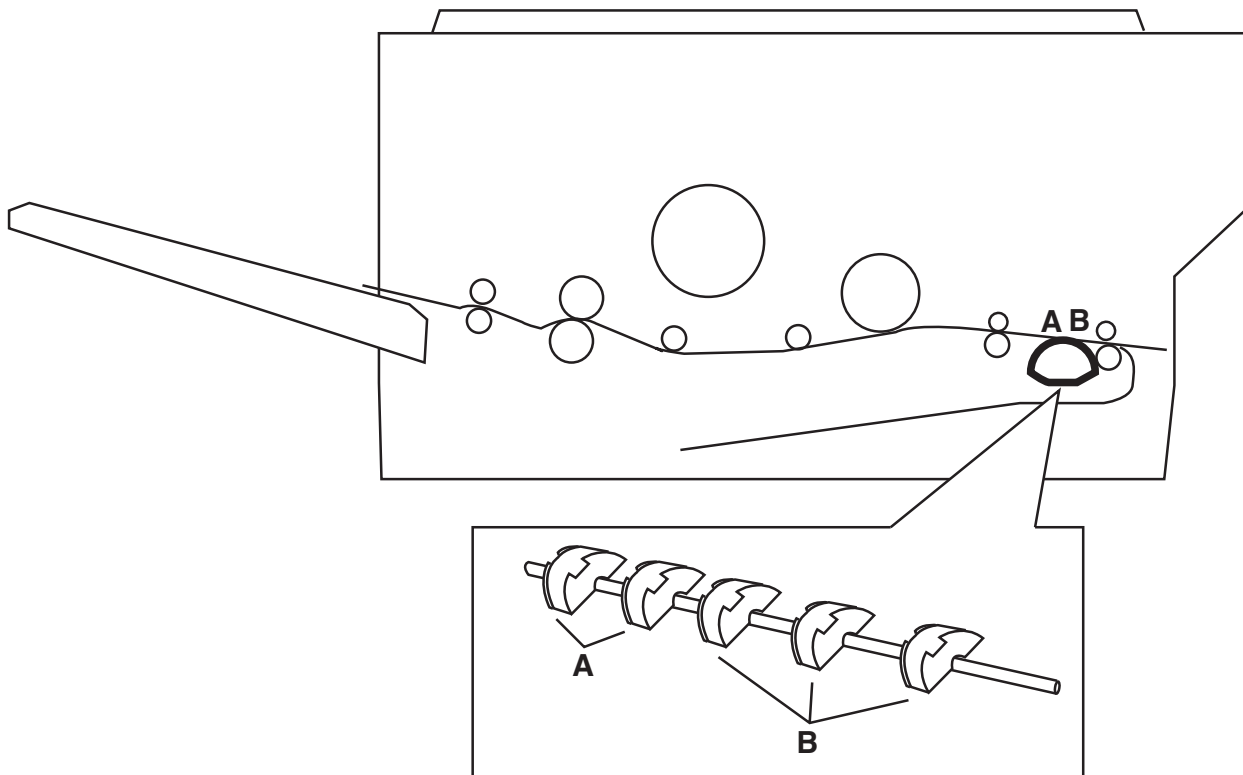


## Sharp SF-7300, 7320, 7350, 7370

Description	OEM PN	Katun PN
<b>A</b> Feed Roller "A"	PGUMR0216FCZZ	<b>12703</b>
<b>B</b> Feed Roller "B"	PGUMR0217FCZZ	<b>12481</b>

### REPLACEMENT KIT

Description	Katun PN
<b>Feed Tire Replacement Kit</b> <i>Kit Includes:</i>	<b>13248</b>
<b>A</b> (2) Feed Rollers "A"	
<b>B</b> 2) Feed Rollers "B"	





**Katun Corporation**

Toll-Free Phone: 1-800-328-2965

**Katun Canada Inc.**

Toll-Free Phone: 1-800-634-5344

**Katun U.K. Ltd.**

Freephone: 0800-289753

**Katun Benelux B.V.**

Telephone: 31 (0) 183-696969

**Katun Germany GmbH**

Telefon: 02131/34 46-0

**Katun France S.A.R.L.**

Numéro Vert: 0800-909-555

**Katun Italy s.r.l.**

Telefono: +39-02-414-99-71

**Katun Spain S.A.**

Teléfono: 91-676-45-51

**Katun Portugal S.A.**

Telefone: 21-499 8960

**Katun Sweden AB**

Telefon: +46 0300-515-50

**Katun Mexico S.A. de C.V.**

Llame sin costo al: 01-800-112-5886

**Katun Singapore Pte Ltd**

Telephone: (65) 6788-3350

**Katun Argentina s.r.l.**

Teléfono: 54 (11) 4103-9200

**Katun Brasil Ltda.**

Telefone: (5511) 3647-3270

**Katun (Australia) Corporation Pty Limited**

Telephone: 1800 998 826

For the most current feed component cross-reference information, visit

**[www.katun.com/resourcecenter/feedcompguide.html](http://www.katun.com/resourcecenter/feedcompguide.html)**